



CJC	drawn by
BWB	checked by
OCTOBER 2024	date
ADDENDUM 2	11/22/2024

MOORE PUBLIC SCHOOLS
BOARD OF EDUCATION
MOORE, OKLAHOMA



CHILD CARE FACILITY
201 N. EASTERN AVE.

sheet no:

S602

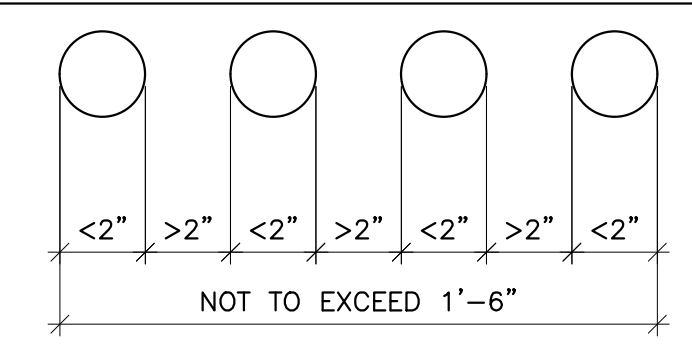
KFC engineering
Kirkpatrick Forest Curtis PC
Structural Engineering
OK CA #3888, EXP. 06/30/25
525 Central Park Drive, Suite 202
Oklahoma City, OK 73105
405.528.4596 | kfcengr.com

OWNERSHIP USE OF DOCUMENTS:
AGP EXPRESSLY RESERVES ITS
COPYRIGHT AND OTHER PROPERTY
RIGHTS OF ALL PLANS AND DRAWINGS
DESIGNED AND/OR PRODUCED. PLANS
AND DRAWINGS ARE NOT TO BE
REPRODUCED IN ANY FORM OR MANNER
WITHOUT THE EXPRESSED WRITTEN
CONSENT OF AGP.

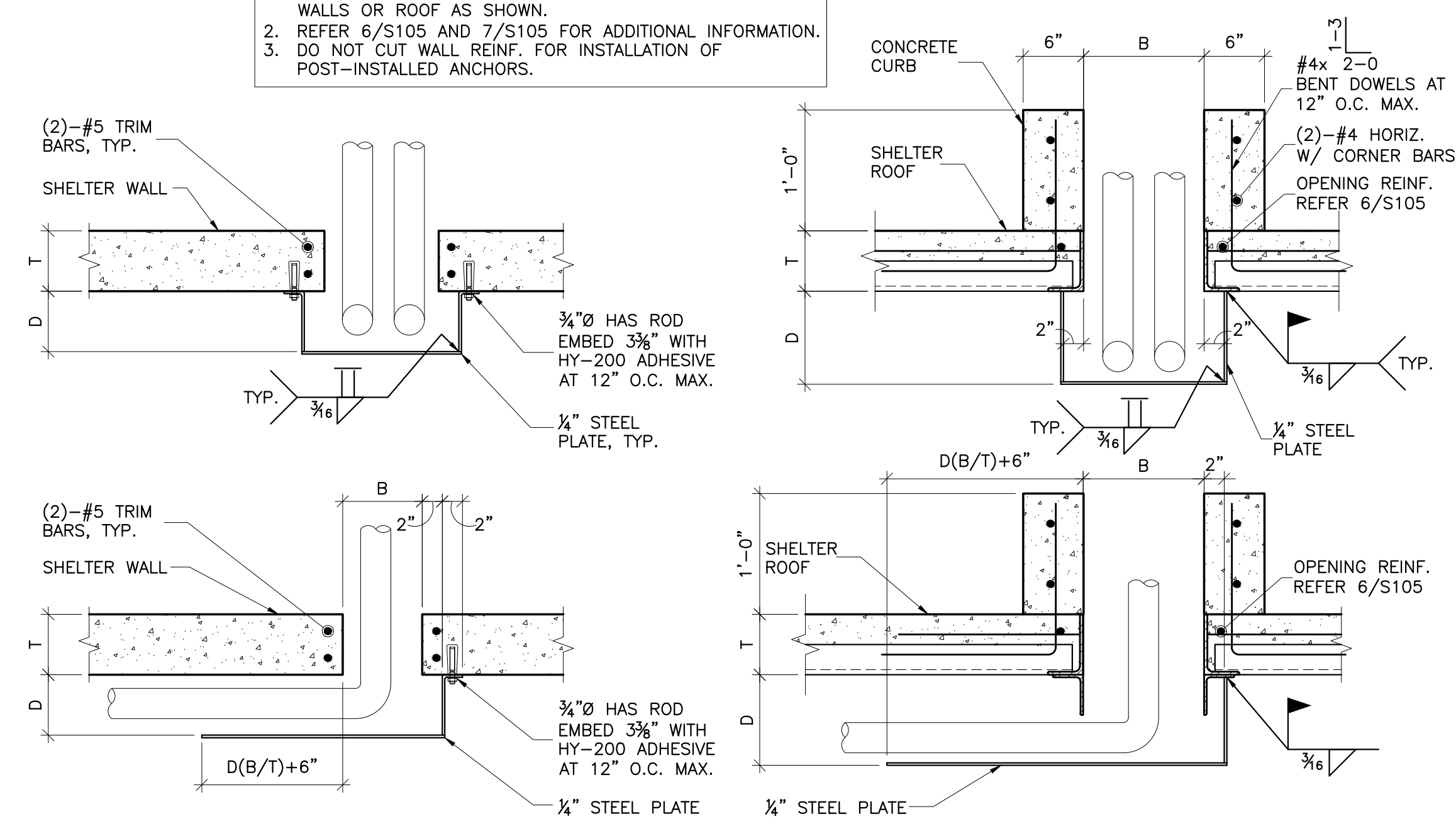
NOTES:
1. WE ARE NOT AWARE OF ANY OPENINGS LARGER THAN 5'-0", IF AN OPENING LARGER THAN 5'-0" IS REQUIRED, CONTACT ENGINEER IMMEDIATELY FOR EVALUATION AND FURTHER INSTRUCTIONS.
2. REFER 6/S105 AND 7/S105 FOR ADDITIONAL INFORMATION.
3. DO NOT CUT WALL REINF. FOR INSTALLATION OF POST-INSTALLED ANCHORS.

NOTES:
1. OPENINGS 18" OR LESS MAY BE MADE IN THE SHELTER WALLS OR ROOF AS SHOWN.
2. REFER 6/S105 AND 7/S105 FOR ADDITIONAL INFORMATION.
3. DO NOT CUT WALL REINF. FOR INSTALLATION OF POST-INSTALLED ANCHORS.

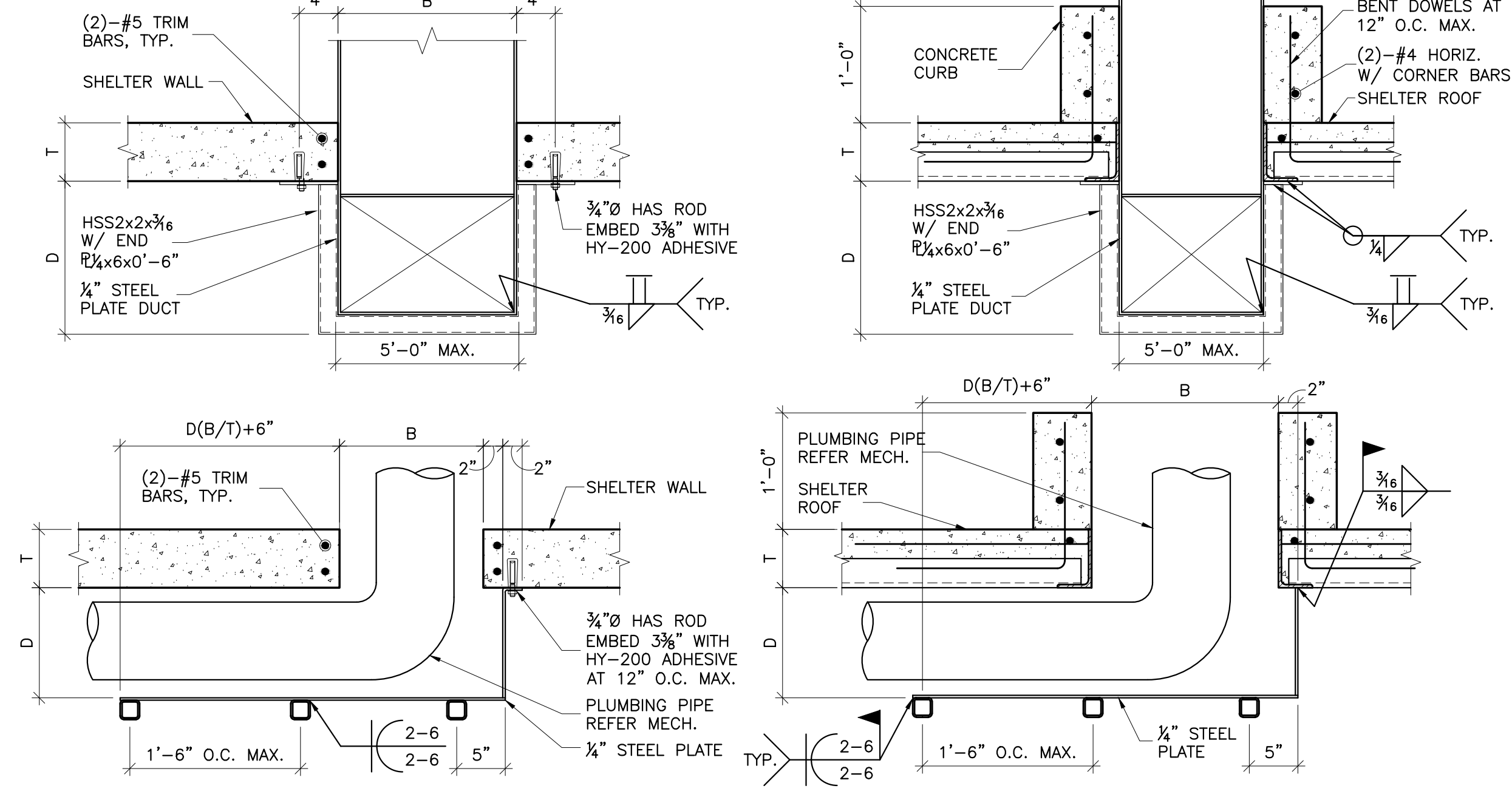
NOTE:
OPENINGS 2" OR LESS MAY BE MADE IN THE SHELTER WALLS OR ROOF WITHOUT PROTECTION OR REGARD TO THE TYPICAL REINFORCING (SPECIAL REINFORCING AROUND OPENINGS SHALL NOT BE CUT). GROUPS OF UP TO 4 OPENINGS 2" OR LESS MAY BE MADE PROVIDED THE CLEAR SPACE BETWEEN OPENINGS EXCEEDS 2" AND THE TOTAL LENGTH OF THE GROUP DOES NOT EXCEED 18". OPENINGS CAN BE HORIZONTAL (AS SHOWN) OR VERTICAL.



1 OPENINGS IN SHELTER 2" OR LESS
SCALE: 1"=1'-0"

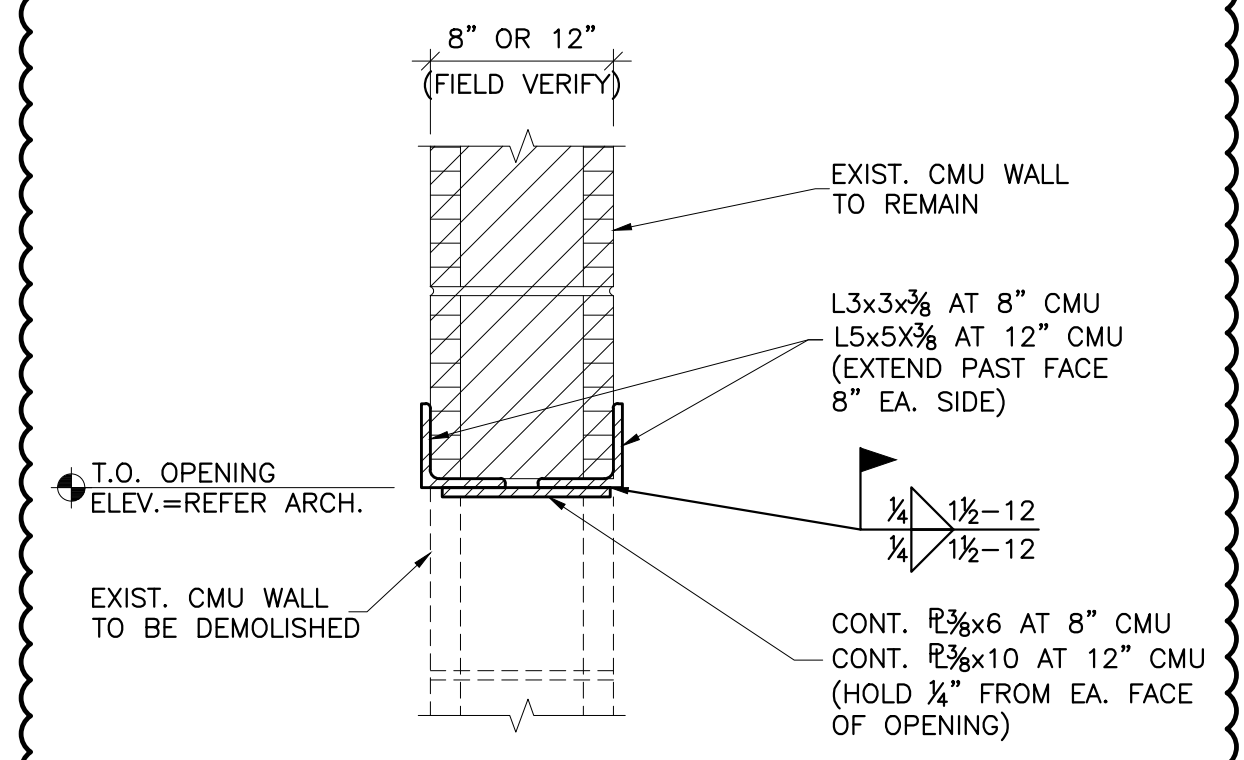


2 OPENINGS IN SHELTER 2" TO 1'-6"
SCALE: 1"=1'-0"



3 OPENINGS IN SHELTER TO 1'-6" TO 5'-0"
SCALE: 1"=1'-0"

SEQUENCING NOTES:
1. IDENTIFY 8" OR 12" CMU WALL AND USE PROPER ANGLE AND PLATE WIDTH ACCORDING TO EXIST. WALL WIDTH.
2. SAW-CUT HORIZONTAL SLOT INTO ONE SIDE OF EXISTING WALL FOR PLACEMENT OF NEW ANGLE. SAW-CUT SHALL EXTEND A MINIMUM OF 8" BEYOND NEW OPENING.
3. INSTALL NEW ANGLE TIGHT INTO SLOT. ANGLES SHALL EXTEND A MINIMUM OF 8" BEYOND OPENING.
4. REPEAT STEPS 1 AND 2 ON OPPOSITE SIDE OF WALL.
5. DEMOLISH MASONRY TO EXTENTS SPECIFIED BY ARCH., FOR NEW OPENING.
6. INSTALL BOTTOM PL TO WITHIN 1/4" OF EACH JAMB OF NEW OPENING.
7. PAINT ANY EXPOSED PORTIONS OF LINTEL, REFER ARCH FOR COLOR.



4 SECTION
SCALE: 1 1/2"=1'-0"